

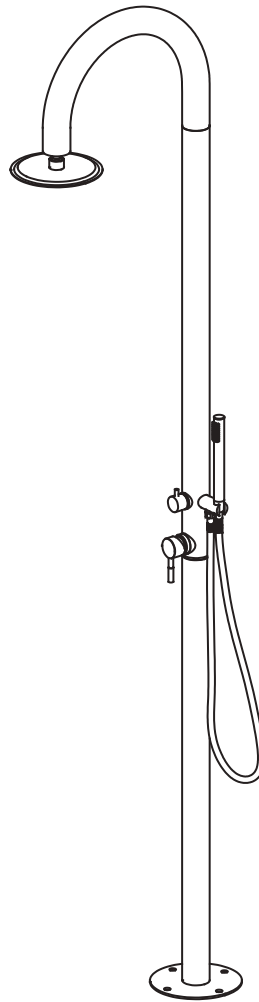
USER MANUAL



Thank you for choosing Better Bathrooms.
Please read this manual before installing your product
and keep for future reference.

**better
bathrooms**

Round Outdoor Shower with Pencil Handset - Fiji FIJIBRST/FIJIMB/FIJIBB



Please note: Image is for illustrative purposes only and may differ slightly to the actual product

- **Multi person assembly**
- **Tools required**
- **We always recommend using professional**
- **tradespeople to install your product**

V3_02.10.25

Congratulations on your purchase

And welcome to our growing gang of savvy shoppers

We're on a mission to bring you extraordinary bathroom products, for less. From modern to traditional style ceramics, plus the gorgeous fixtures, fittings and furniture to match. So, you can fall in love with your space every single day.

As one of the UK's largest independent bathroom stores, we've received countless awards; including the National Business Awards UK, the Digital Entrepreneur Awards and being placed on The Sunday Times Fast Track 100.

We hope your new product goes above and beyond your expectations. However, should any problems occur, please:

- log in to your account and contact our customer services team via your self-serve portal – betterbathrooms.com/CustomerAccount/Login
- contact us via betterbathrooms.com/content/contact-us

Important information

Please read these instructions thoroughly and retain for future reference

Minimum Working Pressure 1 bar

Maximum Working Pressure 3 bar

Pressure MUST be balanced

Hot supply MUST be connected to the left-hand inlet of the mixer, indicated by the red sticker on the inlet and hose

All installation work must be carried out to comply with:

The Water Supply (Water Fittings) Regulations and Water Supply (Water Fittings) (Scotland) Byelaws

The system must be thoroughly flushed prior to installation

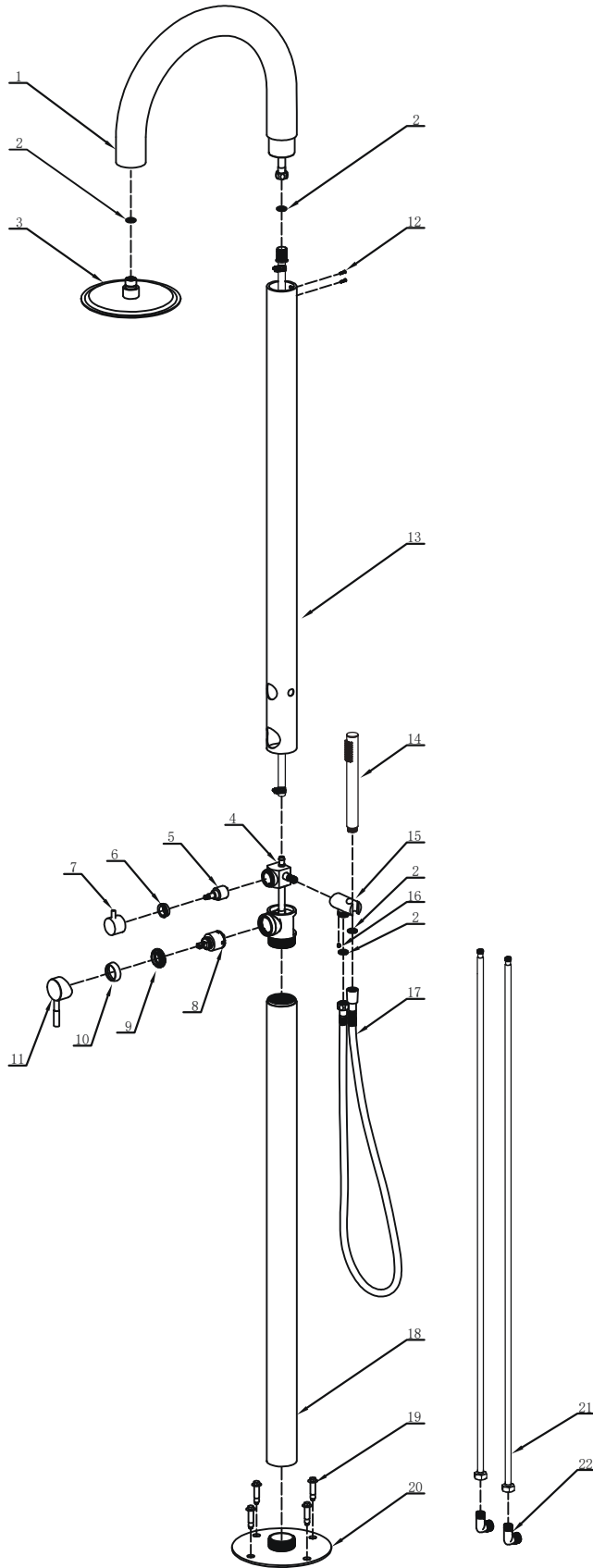
Product must be checked for damage prior to installation

Always check the installation area before drilling for pipes and cables

Contents

- **Parts/ Diagrams-----4**
- **Tools required-----4**
- **Installation-----5**
- **Using-----9**
- **Troubleshooting-----9**
- **Cleaning-----10**

Parts / Diagrams



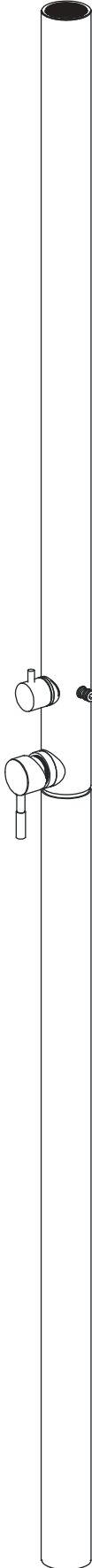
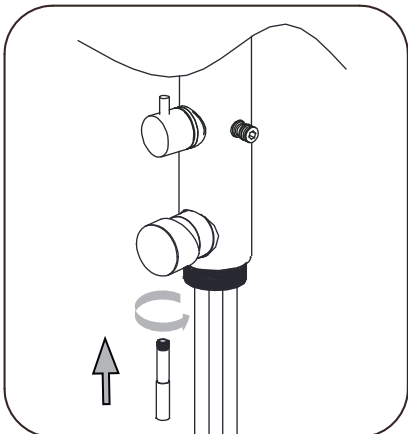
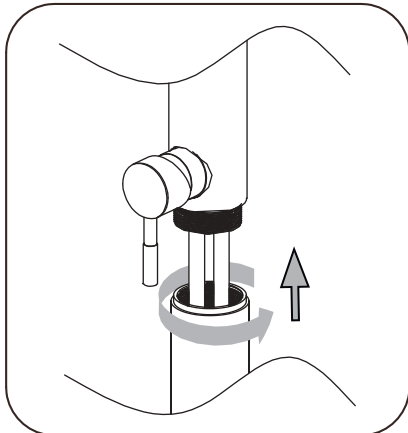
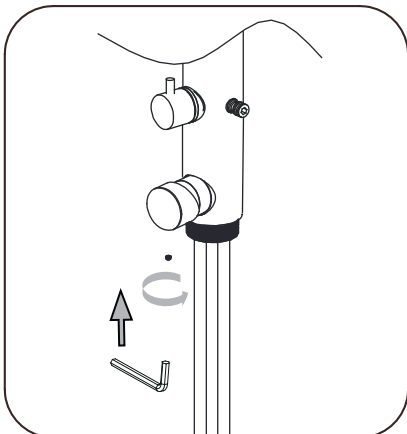
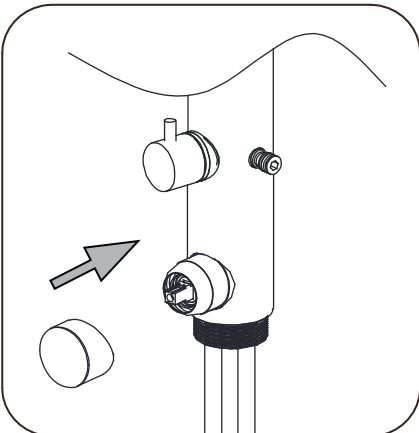
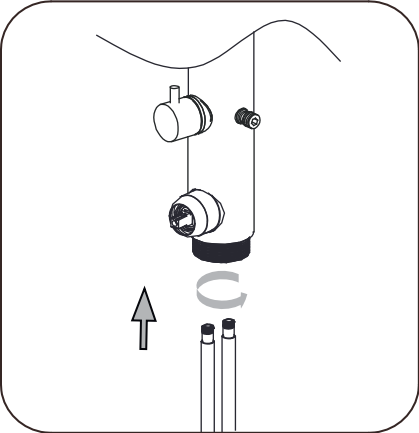
- 1.Upper tube
- 2.Gasket x4
- 3.Top shower
- 4.Mixer body
- 5.Diverter
- 6.Diverter cover
- 7.Diverter handle
- 8.Mechanical cartridge
- 9.Cartridge cover
- 10.Decoration cover
- 11.Mixer handle
- 12.Screw x2
- 13.Middle tube
- 14.Handshower
- 15.Handshower holder
- 16.Hexagon screw
- 17.Flexible hose
- 18.Lower tube
- 19.Expansion screws x4
- 20.Base
- 21.Water in hose x2
- 22.Bronze connector x2

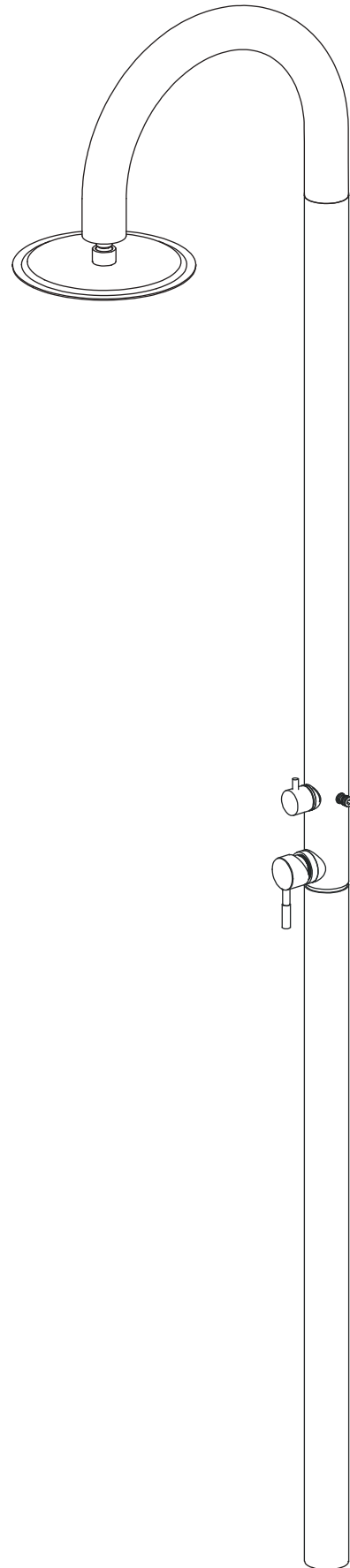
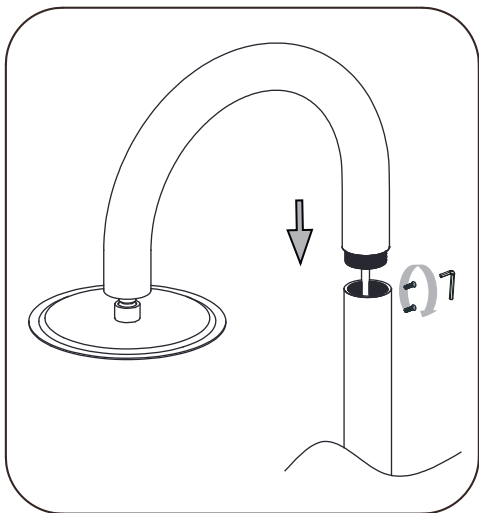
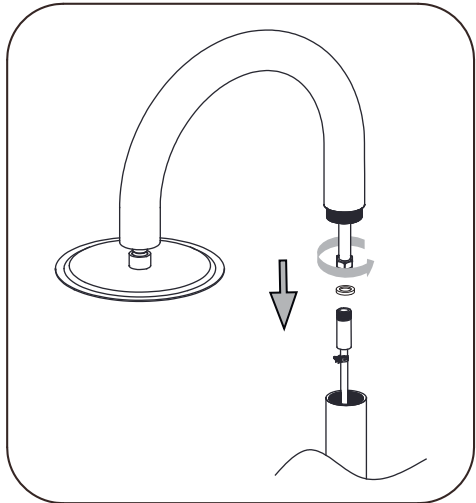
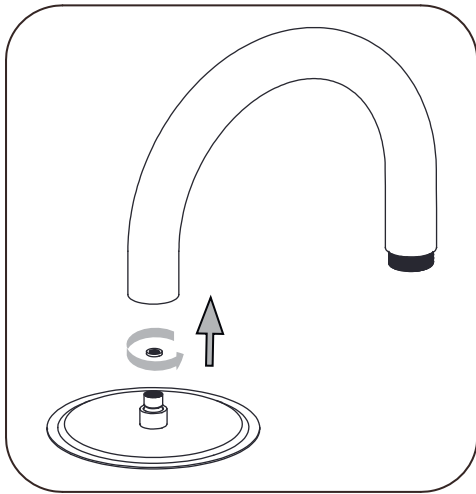
Tools required

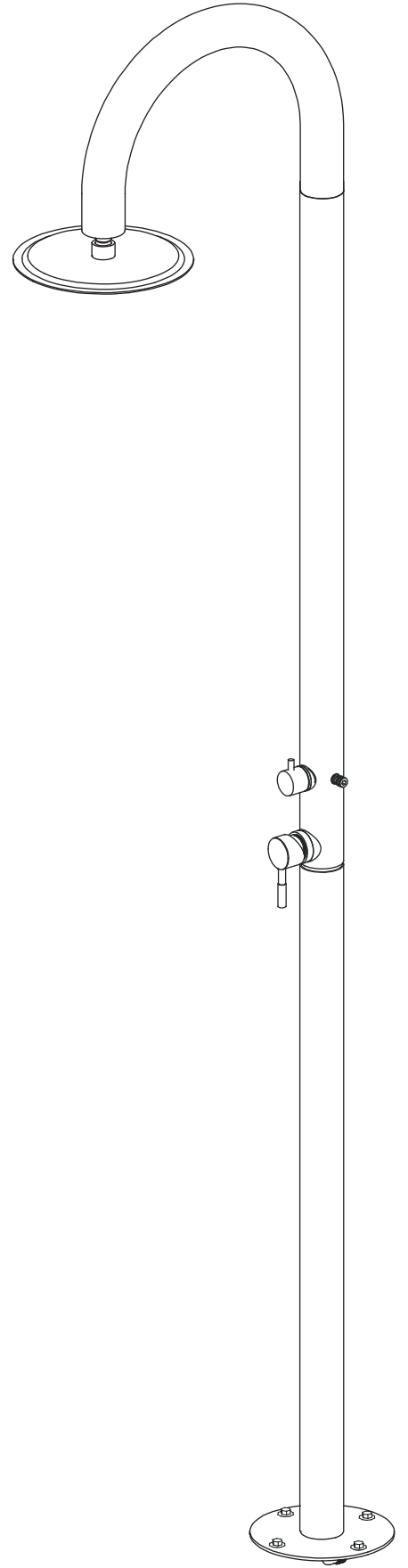
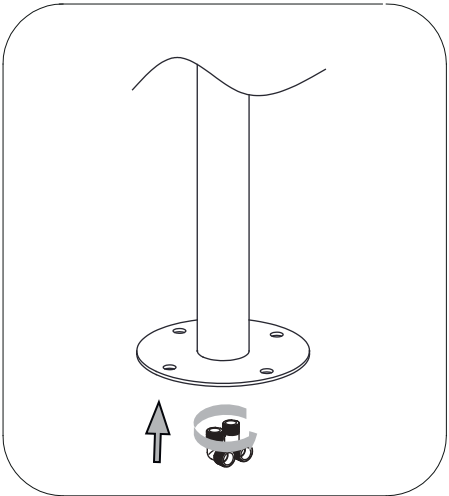
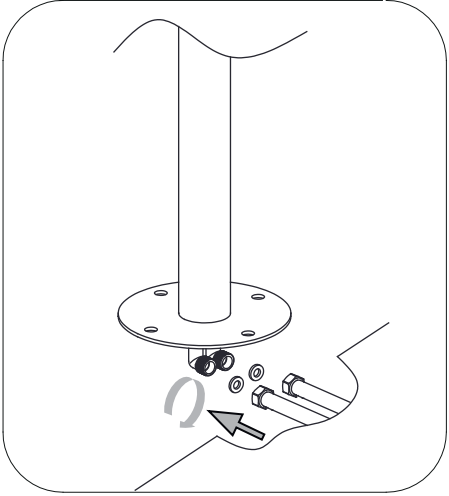
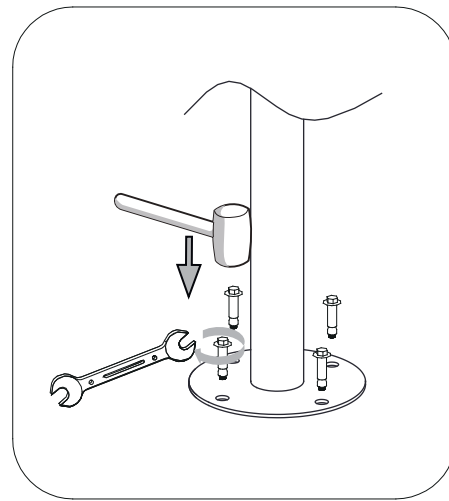
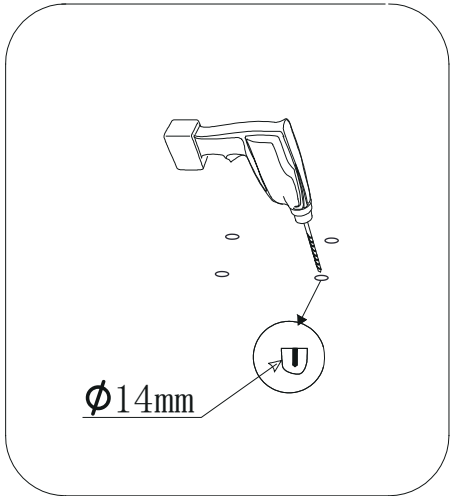
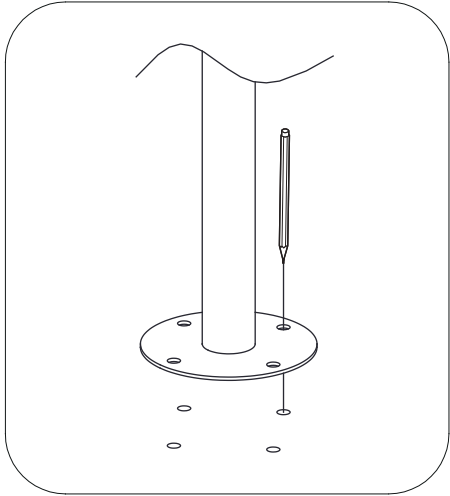
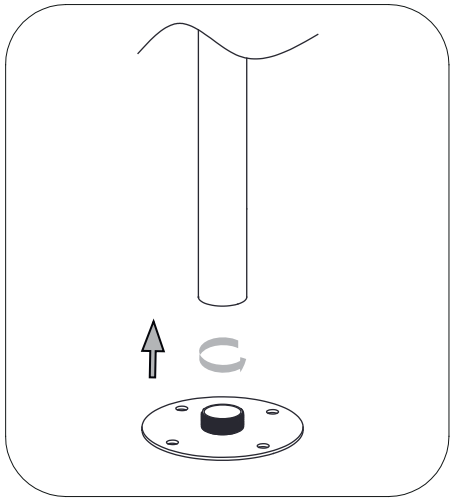
- Spanner
- Silicone
- Drill and drill bit
- Spirit Level
- Pencil
- Tape Measure
- Hammer
- Screwdriver
- Allen key

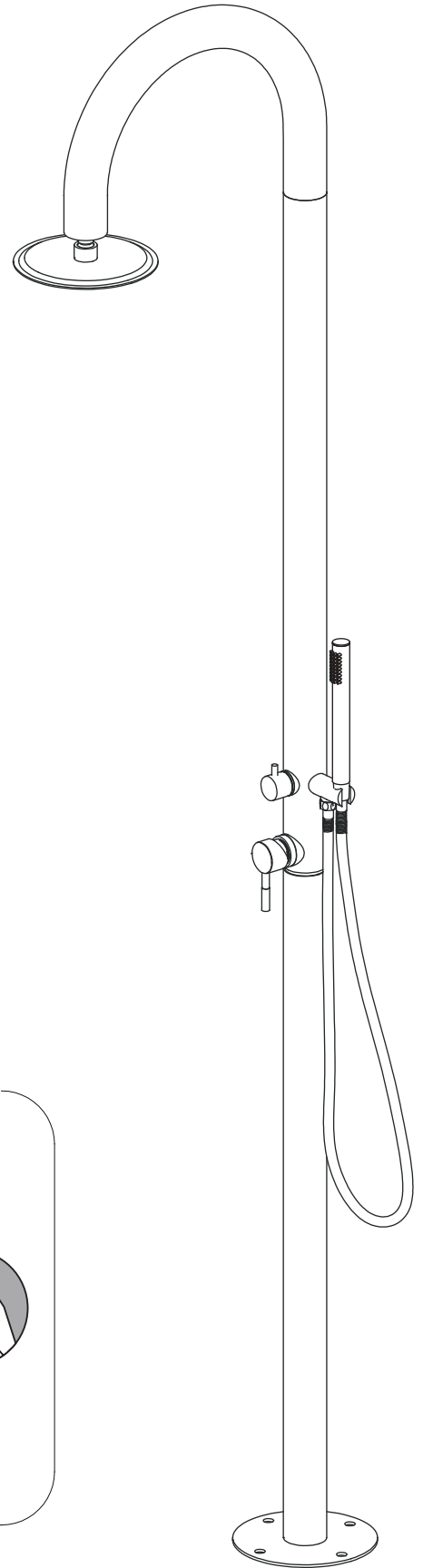
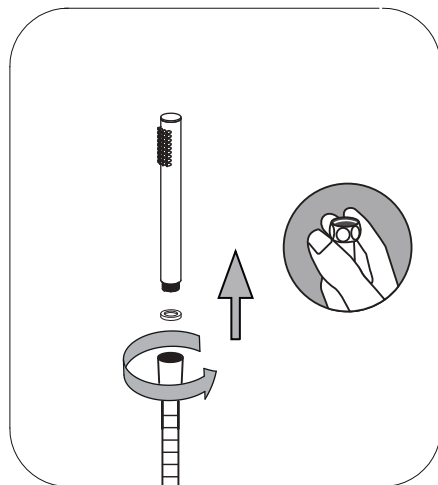
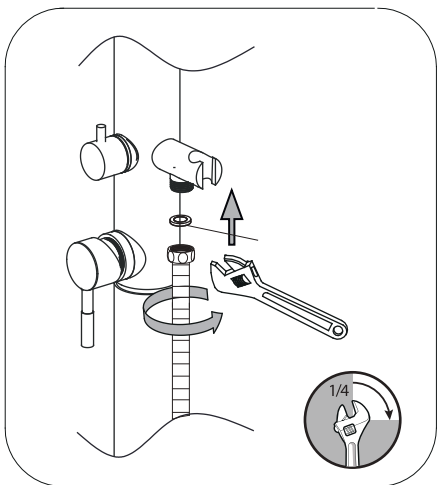
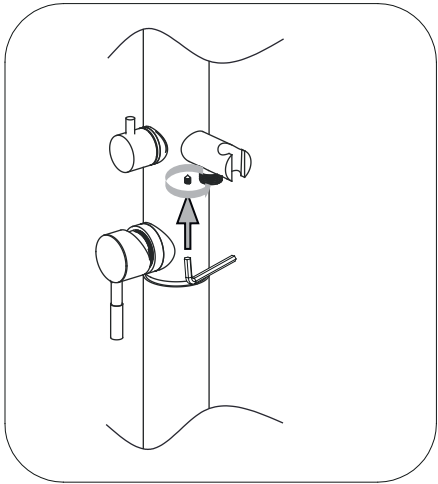
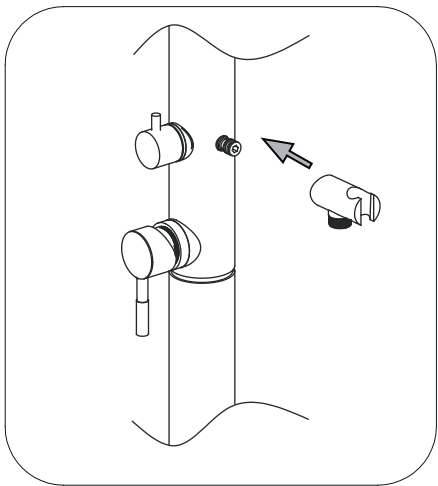
Please note that Parts are for illustrative purposes only and may differ slightly to the actual product

Installation









Using

To control the temperature, turn the temperature control handle until the desired temperature is reached.

As part of the installation, isolation valves must be fitted to the supply and pipes insulated against frost.

During cold periods of weather, to prevent the cartridge freezing and cracking, turn the shower on and close the isolation valves allowing the mixer to drain down fully.

Remove the cartridge, this will prevent water freezing inside the mixer/cartridge causing expansion, leading to the cartridge cracking and in turn leaking.

Troubleshooting

Water dripping after being turned off

1. Does the water stop dripping after a period of time, if so this is normal as the water within the unit needs to drain away, so some dripping may occur
2. Does the dripping continue, if so the flow control valve for the function that is dripping, will need to be replaced.

Cleaning

To maintain the surface of your product, wipe with a clean damp cloth and wipe dry, do not use any abrasive cleaning agents or materials .

It is recommended to wipe and dry on a regular basis.

For more information

- visit betterbathrooms.com
- email customerservices@buyitdirect.co.uk
- call 0330 390 3062
- write to Trident Business Park, Neptune Way, Huddersfield, HD2 1UA

better 
bathrooms

Part of the BuyItDirect Group